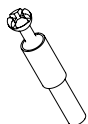
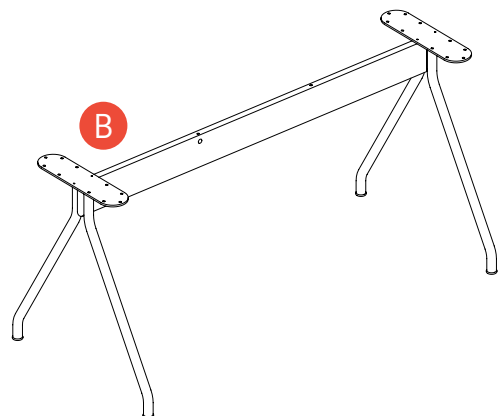
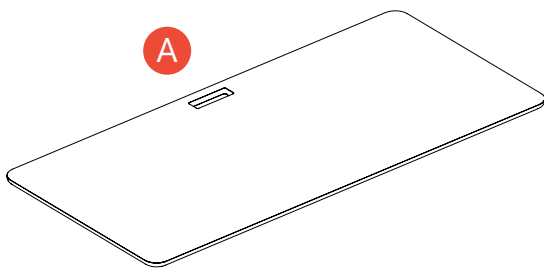


IMPORTANT NOTE

Failure to install product according to installation instructions will result in loss of warranty.

Parts List

- A Worksurface**
Each Simple Writing Desk has a corresponding worksurface and base assembly.
- B Base Assembly**
- C Base Attachment Screw**
1/4-20 x 1/2" – Installs with 5/32" Hex Key
- D Base Attachment Minifix Bolt**
Installs with Phillips Head Screwdriver
- E Base Attachment Minifix Cam**
Installs with Phillips Head Screwdriver
- F Drawer Attachment Bolt**
Installs with Phillips Head Screwdriver
- G Drawer Spacer**
Installs with Drawer Attachment Bolt
- H Power Module Cable Clamp**
Wire Management - Installs with #8 Washer Head Screws
- I Divider Attachment Screw**
#10 x 3/4" – Installs with #2 Phillips Screwdriver

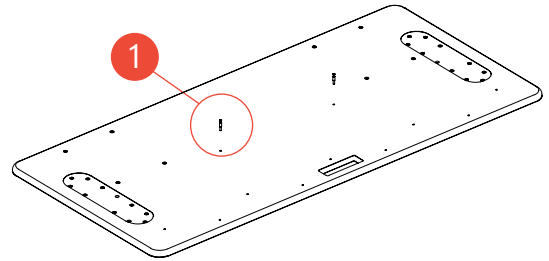
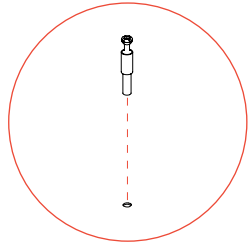


IMPORTANT NOTE

Failure to install product according to installation instructions will result in loss of warranty.

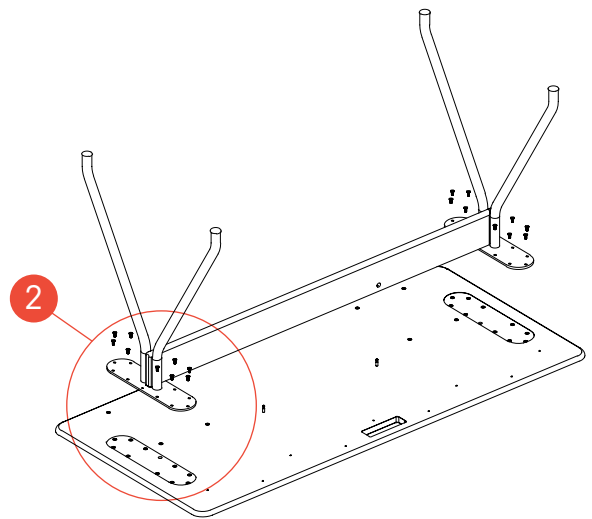
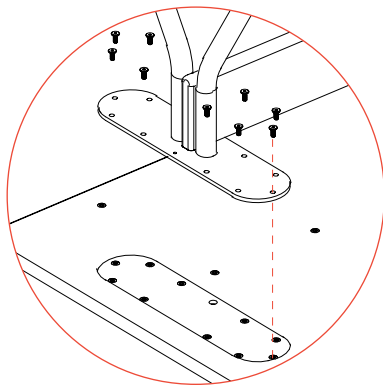
Assembling Base

- 1** Using a #2 Phillips Head Screwdriver, install the Minifix Bolts (D) into the pre-machined holes in the center of the underside of the top.



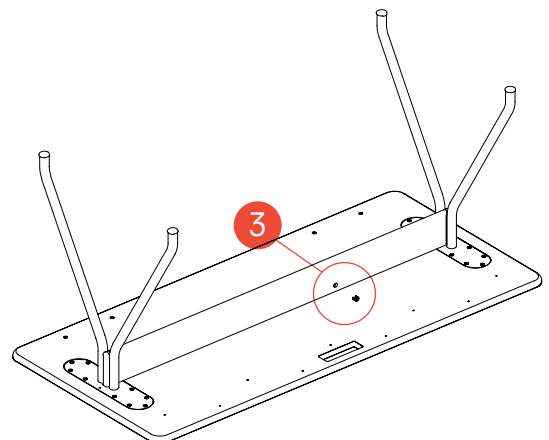
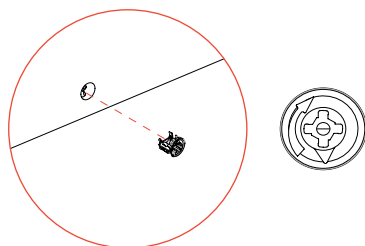
- 2** Set the base onto the Minifix Bolts while aligning the base top plates with the corresponding pockets in the top.

Using a 5/32" Hex key, install the Base Attachment screws (C) through the base into the pre-installed inserts in the top.



- 3** Using a #2 Phillips Head Screwdriver, install the Minifix Cams (E) into the (2) pre-machined holes in the cross member. These will be used to anchor the cross member to the base on the underside of the top.

When pressing the Cam in, ensure the arrow is pointing to the top as shown in the detail below. Turn the Cam clockwise (shown by the arrow) to lock the Cam to the Bolt.



IMPORTANT NOTE

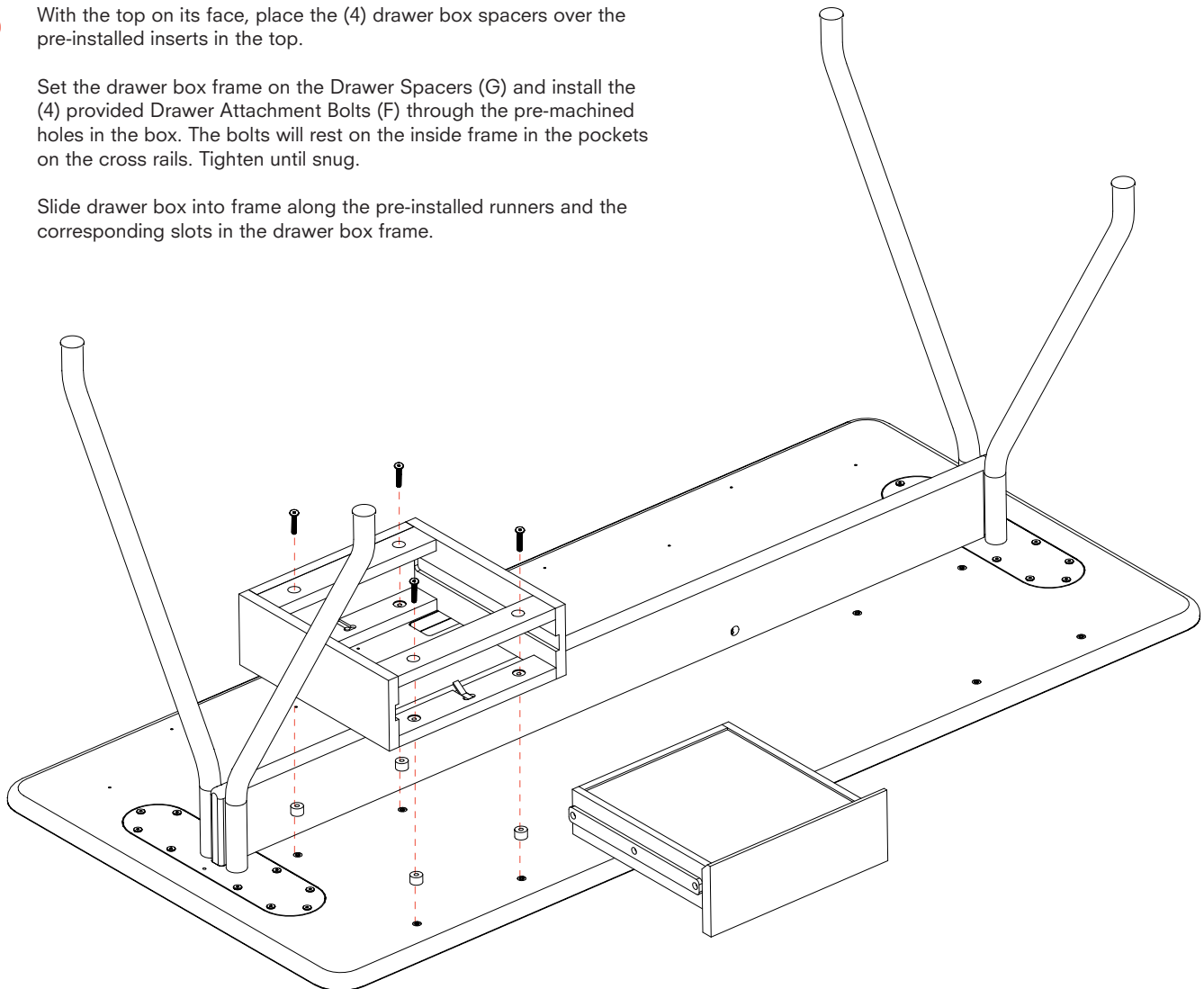
Failure to install product according to installation instructions will result in loss of warranty.

Optional Drawer Box Installation**1**

With the top on its face, place the (4) drawer box spacers over the pre-installed inserts in the top.

Set the drawer box frame on the Drawer Spacers (G) and install the (4) provided Drawer Attachment Bolts (F) through the pre-machined holes in the box. The bolts will rest on the inside frame in the pockets on the cross rails. Tighten until snug.

Slide drawer box into frame along the pre-installed runners and the corresponding slots in the drawer box frame.



IMPORTANT NOTE

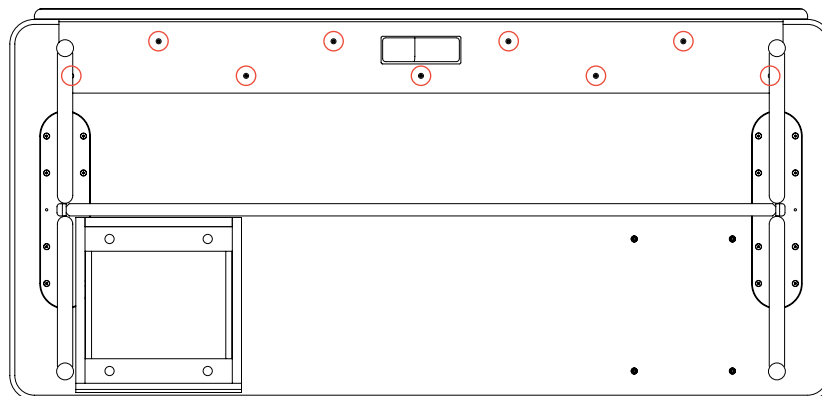
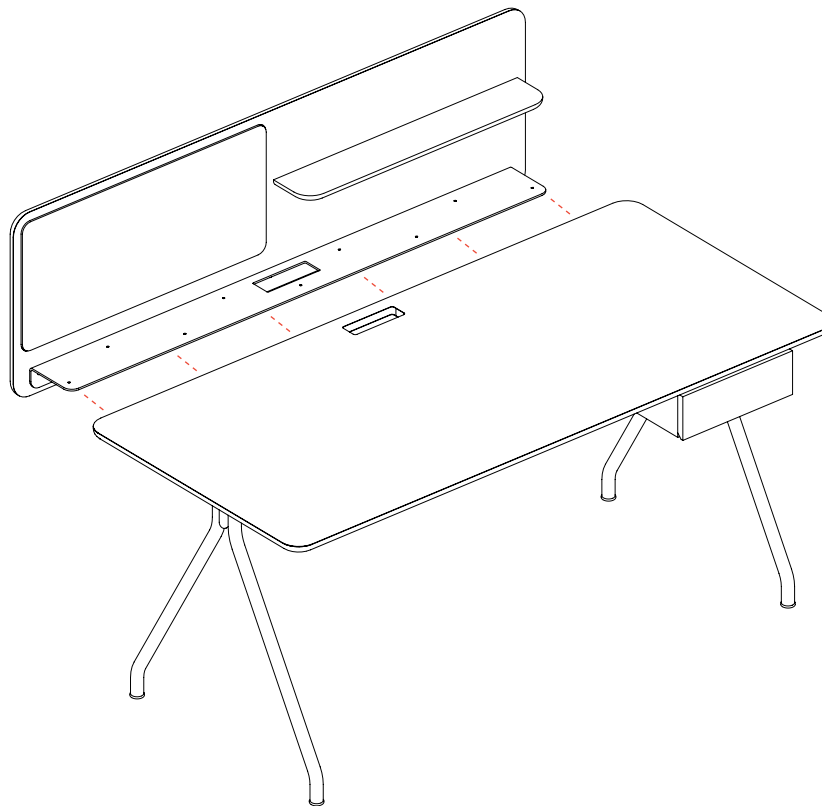
Failure to install product according to installation instructions will result in loss of warranty.

Optional Divider Installation

1 With the desk upright, guide the divider attachment bracket under the top.

With assistance, align the holes in the bracket with the pre-machined pilot holes in the bottom of the top.

Using a #2 Phillips Drive install the provided #10 Divider Attachment Screws (I) into the corresponding pilot holes.



VIEW FROM BELOW

IMPORTANT NOTE

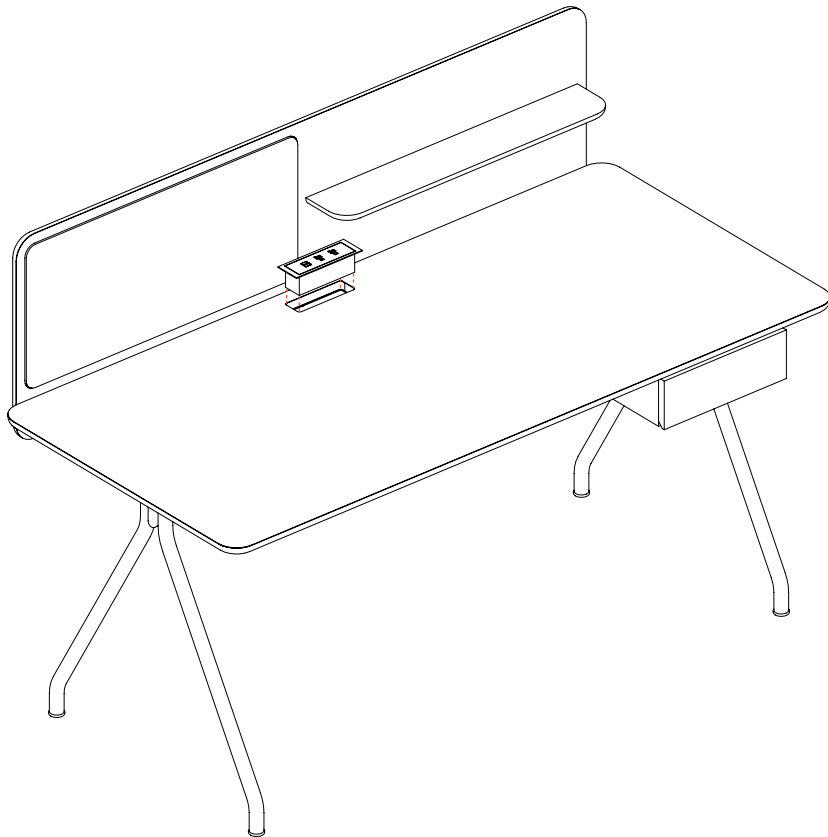
Failure to install product according to installation instructions will result in loss of warranty.

Optional Power Unit Installation

1 With the desk upright, slide the power unit into the pre-machined hole in the center of the top.

From under the desk tighten the thumb-screws on the unit until they are snug to the bottom of the top.

Manage the cord with the provided Power Module Cable Clamp (H) and screws.



IMPORTANT NOTE

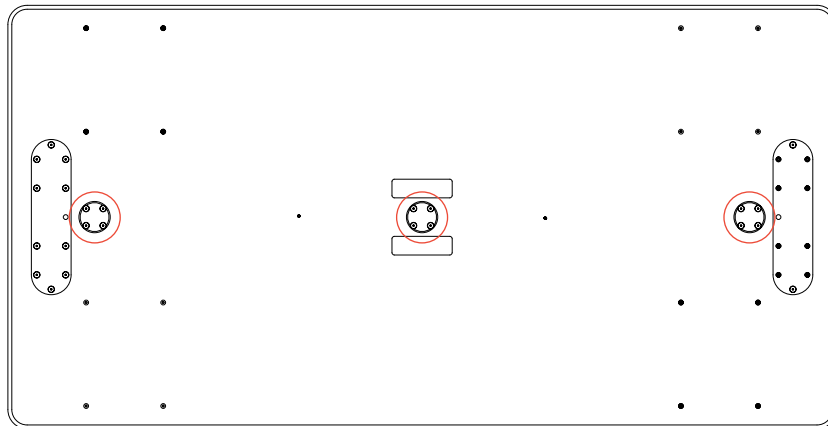
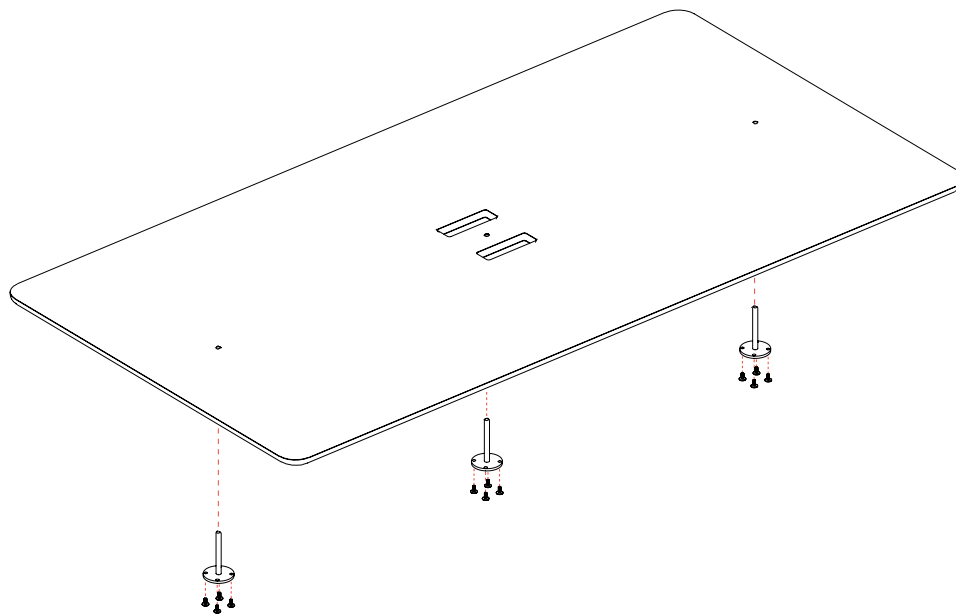
Failure to install product according to installation instructions will result in loss of warranty.

Optional Double Depth Desk Divider Installation

- 1 Prior to assembling the top to the base, push the divider support brackets through the three machined holes in the top.

When full inserted, align the base plates with the corresponding inserts in the top.

Using a 5/32" Hex Key install the base attachment bolts through the base plate into the pre-installed inserts in the top.



VIEW FROM BELOW

IMPORTANT NOTE

Failure to install product according to installation instructions will result in loss of warranty.

Optional Double Depth Desk Divider Installation

2

With the desk upright, guide the divider over the support bracket studs which are protruding through the top.

Carefully slide the divider down on the studs until snug.

