

# Palo Sofa



**Assembly  
Instruction**

## Palo Sofa

### *Your forever system*

Palo is whatever you want it to be; a chaise, an ottoman, a sofa. This is furniture that evolves and grows with you. Elegant wood and metal legs are a hallmark of the architectural Palo family; as well as providing detail, they are the secret to a modular system that allows cushions and armrests to be moved and repositioned across the whole series. It doesn't end there... Want a side table for your tea? Or need to replace an individual element? Our approach enables you to update and grow your system, adapting to whatever life brings.

Parts



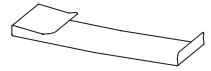
Leg cap



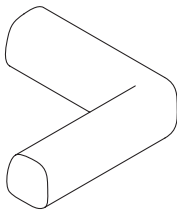
Leg tap



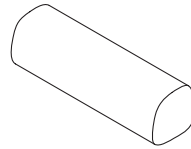
Leg base



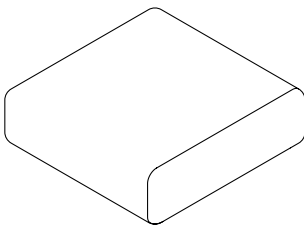
Small leg + clamp  
(Palo Corner sofa only)



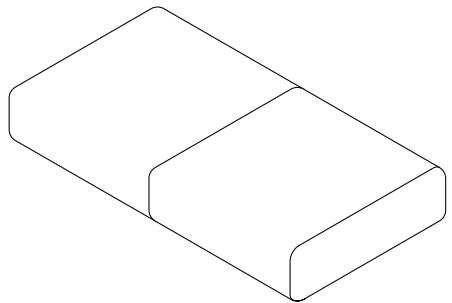
Backrest corner



Backrest straight

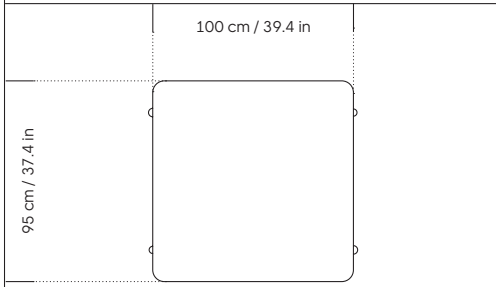


Small base

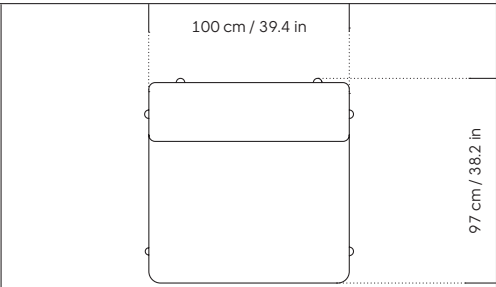


Large base

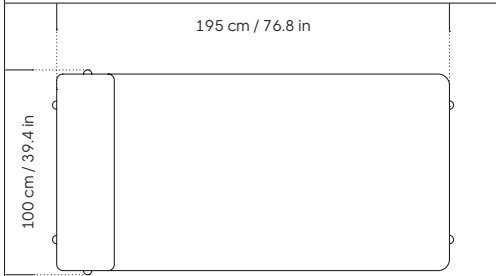
**Module Overview**



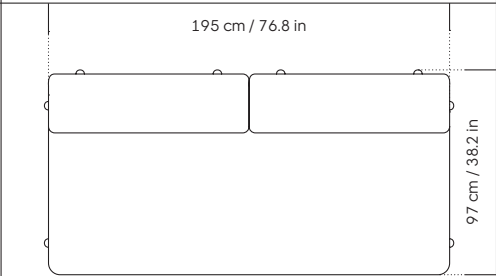
**Palo Modular Ottoman**  
L: 100 cm / 39.4 in x W: 95 cm / 37.4 in



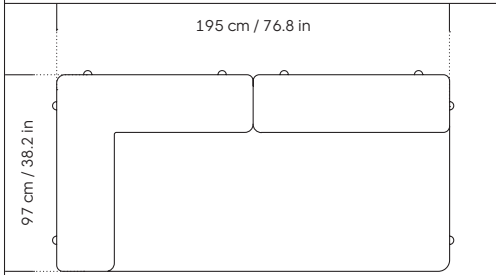
**Palo Modular Ottoman**  
L: 100 cm / 39.4 in x W: 97 cm / 38.1 in



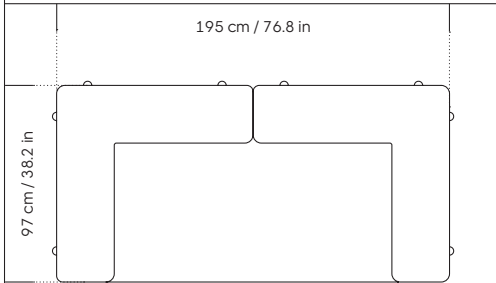
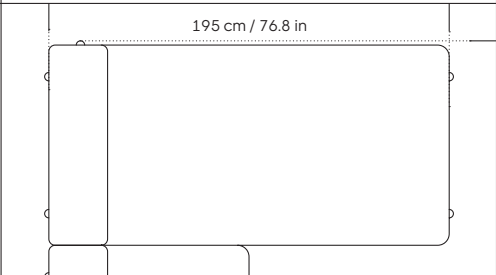
**Palo Modular Lounger**  
L: 195 cm / 76.8 in x W: 100 cm / 39.4 in



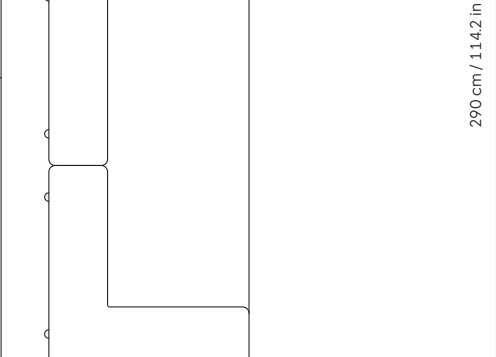
**Palo Modular 2-Seater Sofa**  
L: 195 cm / 76.8 in x W: 97 cm / 38.2 in



**Palo Modular 2-Seater Sofa Chaise Right/Left**  
L: 195 cm / 76.8 in x W: 97 cm / 38.2 in



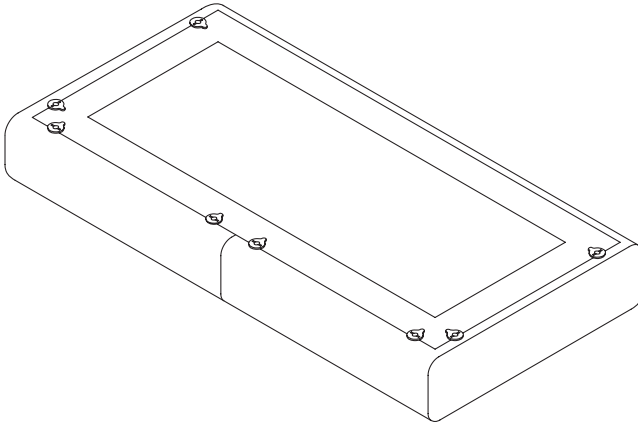
**Palo Modular 2-Seater Sofa + Corner Armrest**  
L: 195 cm / 76.8 in x W: 97 cm / 38.2 in



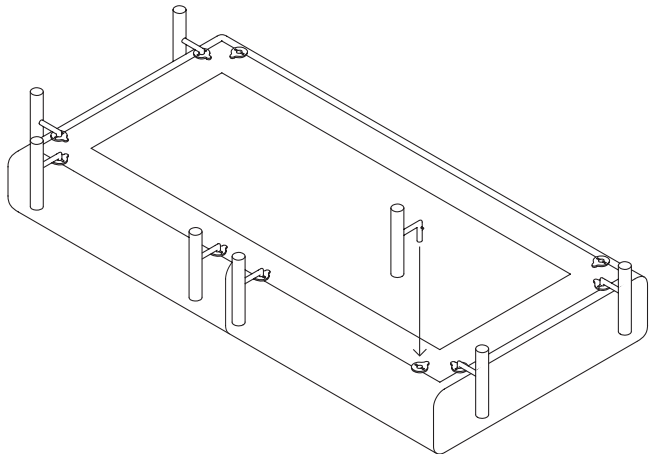
**Palo Modular Corna Sofa Right/Left**  
L: 290 cm / 114.2 in x W: 195 cm / 76.8 in

**Step 1**

Turn the base of the sofa around and lay it on a clean, even surface.

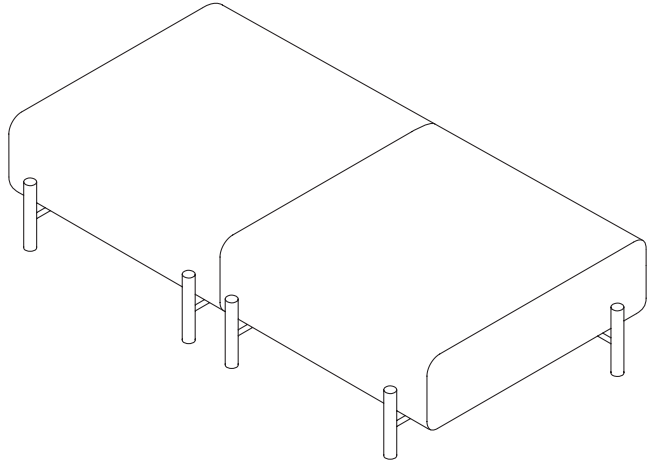
**Step 2**

Lock all leg bases into the holes of the sockets provided. Make sure all of the legs sit tightly in the base. Depending on which Palo configuration you have purchased, the amount of parts will vary (please see the module overview for reference).



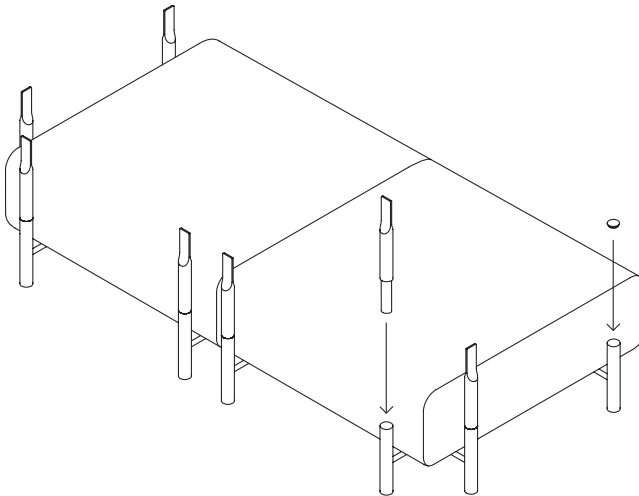
**Step 3**

Turn the sofa base around and make sure everything feels stable. Ask a friend to help you.



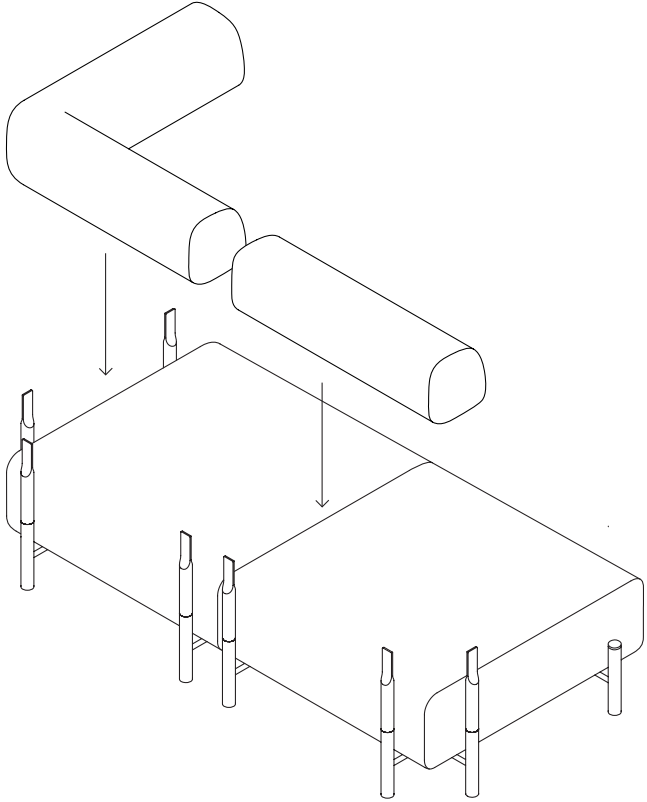
**Step 4**

Next, place all the leg tops into the upper holes of the leg bases. Depending on which Palo configuration you have purchased, seal the hole with a leg cap (please see the module overview for reference).



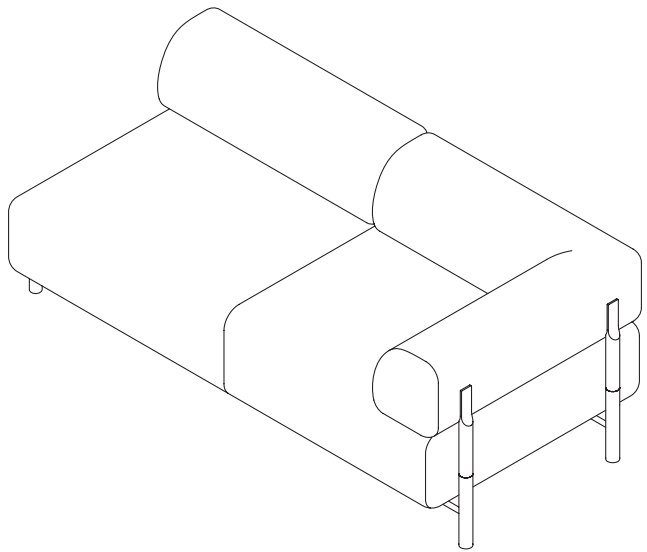
**Step 5**

Each armrest and backrest needs to be supported by the legs tops which you have put in place at step 4.



**Step 6**

You're done! Put the sofa to the desired angle and make sure everything feels stable.



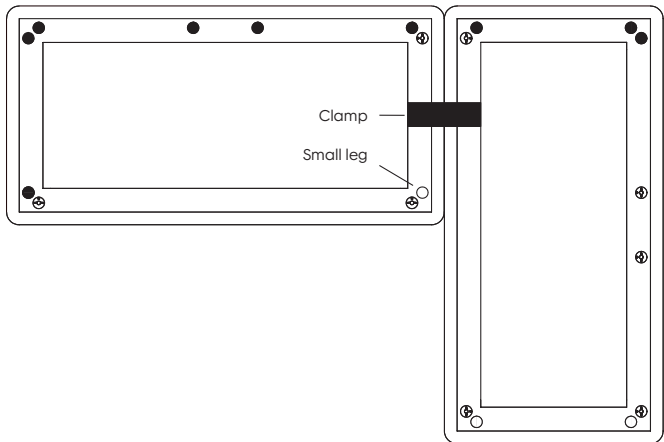


## Additional assembly Palo Corner left / right

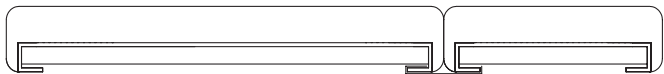
### Step 7

Once you have assembled both modules of your Palo Corner Sofa, make sure to have added the small leg into the big base, to secure its stability. After that, secure both parts together by using the clamp, following the drawing below:

### View from underneath



### View from the side



**Notes**



Should you have any problems assembling your product, contact us at [info@hem.com](mailto:info@hem.com). We're always happy to help!

# Hem