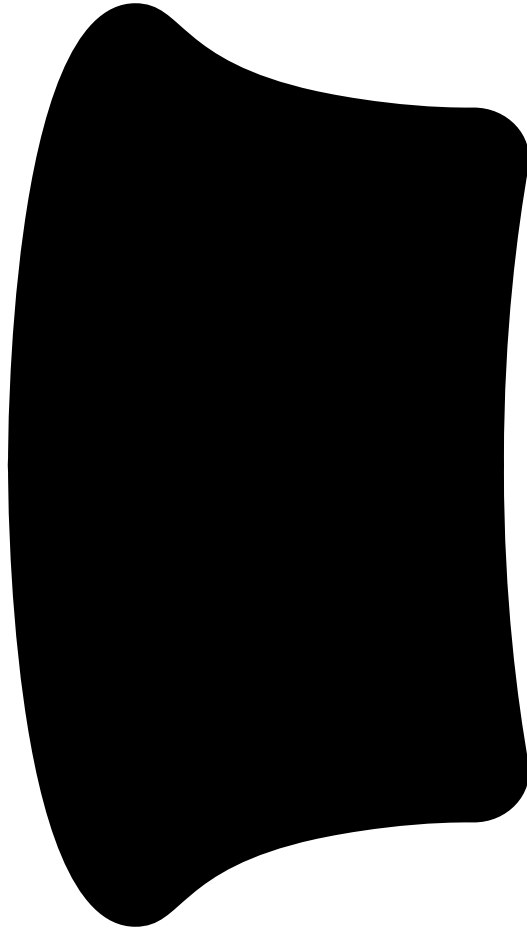


# **Kendo Swivel Chair**



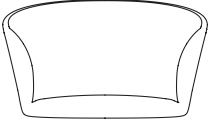
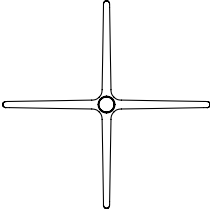
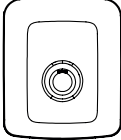

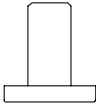

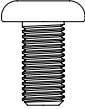
**Assembly  
Instruction**

# Kendo Swivel Chair

## Seating sanctuary

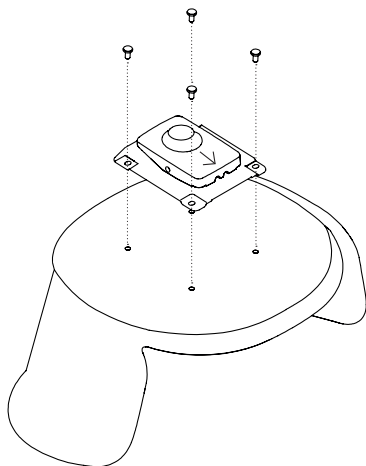
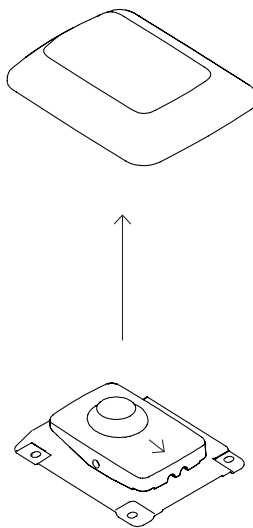
The Kendo Chair's soft, wrap-around upper offers an appealingly ergonomic seating experience. Simultaneously protective and inviting, this design by LucidiPevere offers a shielding shape combined with a gentle embrace. The generous seat is wide and comfortable, allowing you to move freely, shift position, express yourself. Whether around a boardroom or a dining table, Kendo keeps you comfortable for long periods of time. Its sturdy welded frame makes this chair built to last. Both Kendo Swivel leg bases are 360° rotational. The 4-star leg base incorporates a return function to keep the chairs perfectly aligned around a table when not in use, while the 5-star leg base has a height adjustable mechanism. All variants are available in powder-coated or polished aluminum.

Please use this assembly instruction for the Kendo Swivel Chair 4-star Return, as well as the Kendo Swivel Chair 5-star Castors.

Parts: Building the Kendo Swivel Chair 4-star Return			
 <p>Seat</p>	 <p>4-star base</p>	 <p>Seat mechanism</p>	 <p>Returning column</p>
 <p>4 gliders</p>	 <p>Allen Key</p>	 <p>4 screws</p>	

**Step 1**

Remove the plastic cover from the seat mechanism.

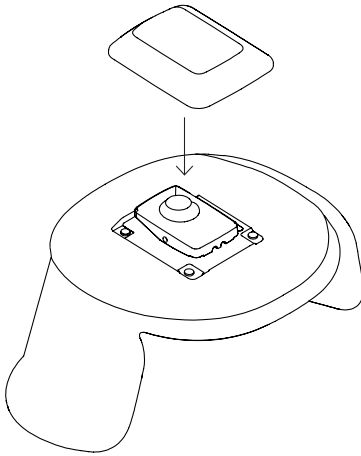
**Step 2**

Attach the seat-mechanism to the seat with the 4 screws. Make sure you direct the sticker on the seat mechanism facing the front of the seat. Please tighten the screws firmly.

Then, remove the sticker from the seat mechanism.

**Step 3**

Press on the plastic cover.

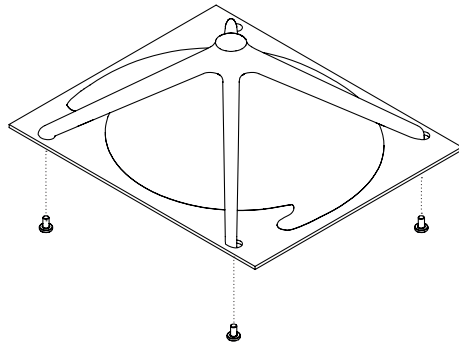
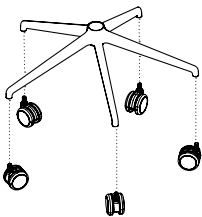


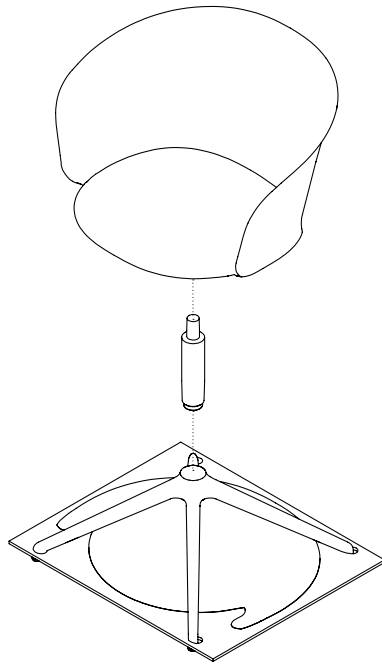
**Step 4**

Please take out the leg base and the box insert.

Press on the glider to the 4 legs.

If you are assembling the Kendo Swivel Chair 5-star Castors: press all 5 wheels to the leg base. Make sure they are pressed in all the way.





### Step 5

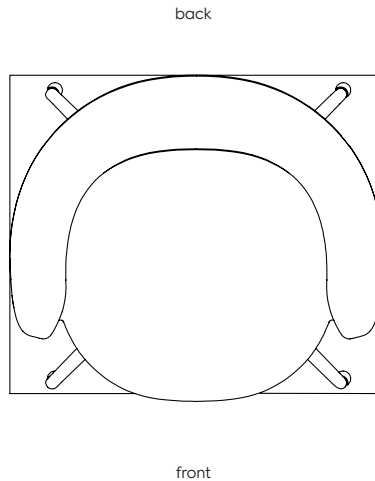
Put the returning column into the leg base in any direction. Make sure it goes all the way in.

Then, put the seat onto the column. Make sure you direct the seat according to the box insert. The front should be in between the front legs. After aligning the seat in the right direction, press or sit in the chair to attach the seat firmly to the base.

If you are assembling the Kendo Swivel Chair 5-star Castors: the seat can face any direction when attaching it to the base.

### Step 6

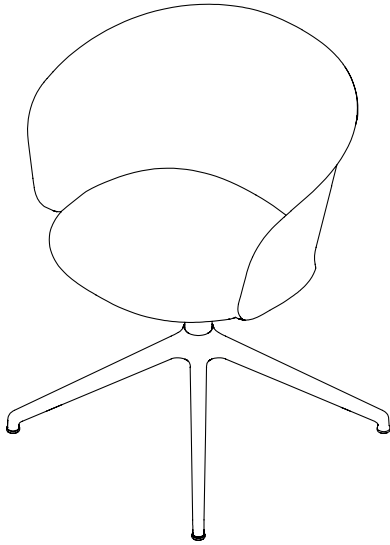
Your Kendo Swivel Chair 4-star Return should look like this from the top.



**Step 7**

Remove the box insert.

Your Kendo Swivel Chair  
4-star Return is now ready  
assembled!





Should you have any problems assembling your product, contact us at [info@hem.com](mailto:info@hem.com). We're always happy to help!

We have carefully selected the materials used in this product, and ask you to treat it responsibly too.  
Please recycle all packaging according to your local disposal rules.

# Hem