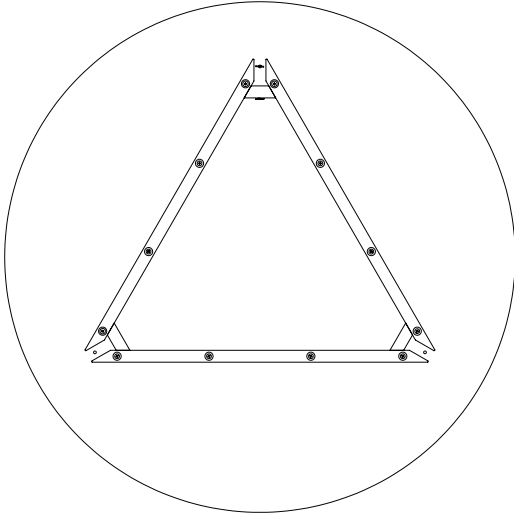


Alle Round Table

by Staffan Holm

Alle Round Table, designed by Staffan Holm, is a generously proportioned solid oak table that features the designers trademark mix of modernity and tradition. The tables thin, rounded edges give an impression of lightness and elegance while it is the ideal companion for late night work sessions and grand dinner parties.

Packaging content



1 x Table Centre



3 x Knob



3x M10 split Washer



6 x M10 Washer



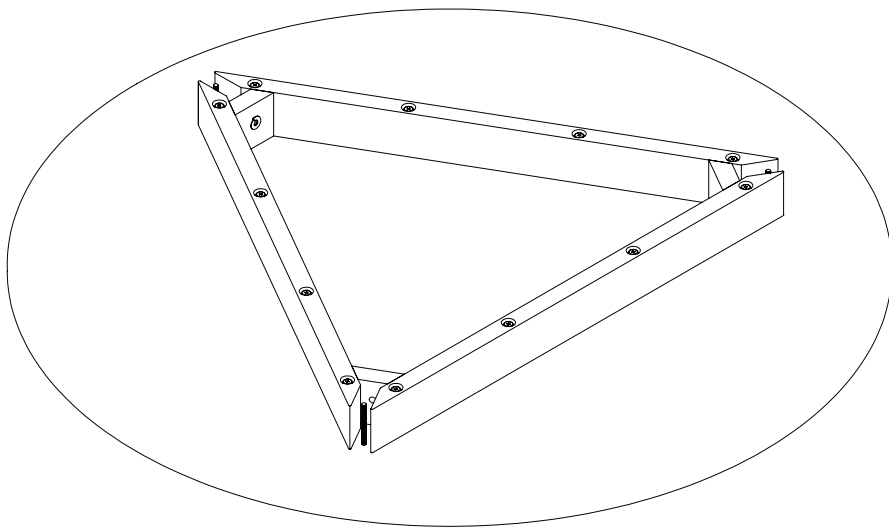
3 x Hem Coin Nut



3 x Legs

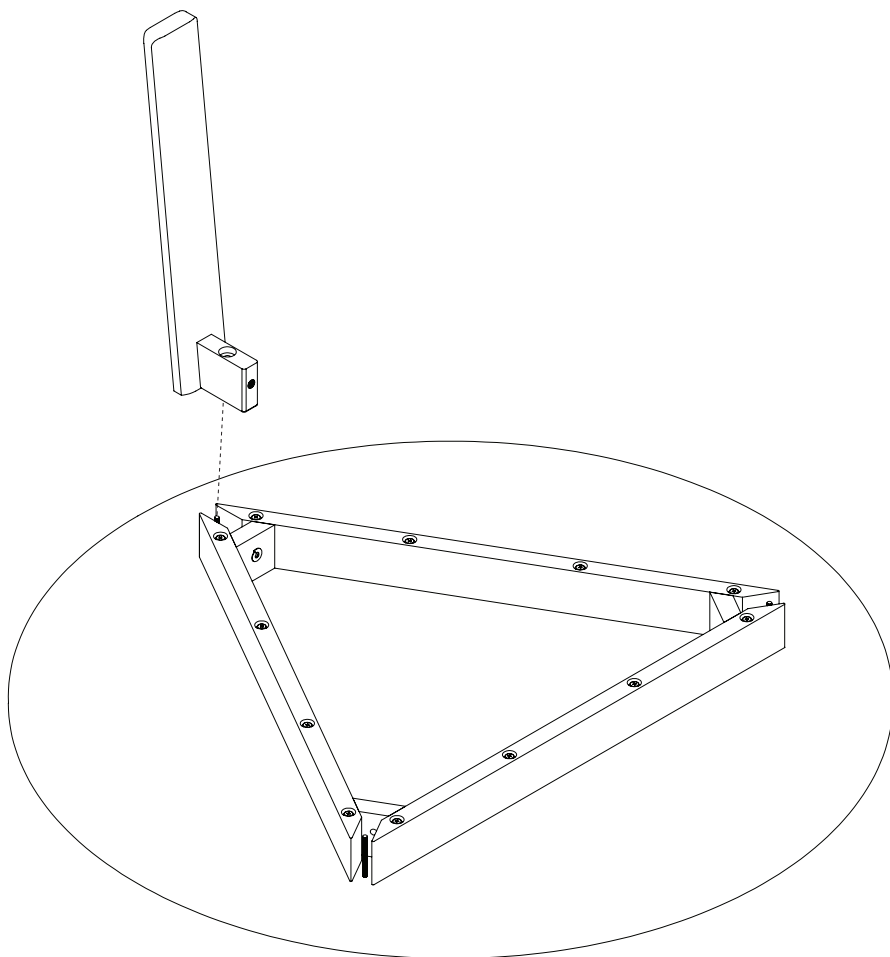
1

Place the table top on a soft surface, facing down.



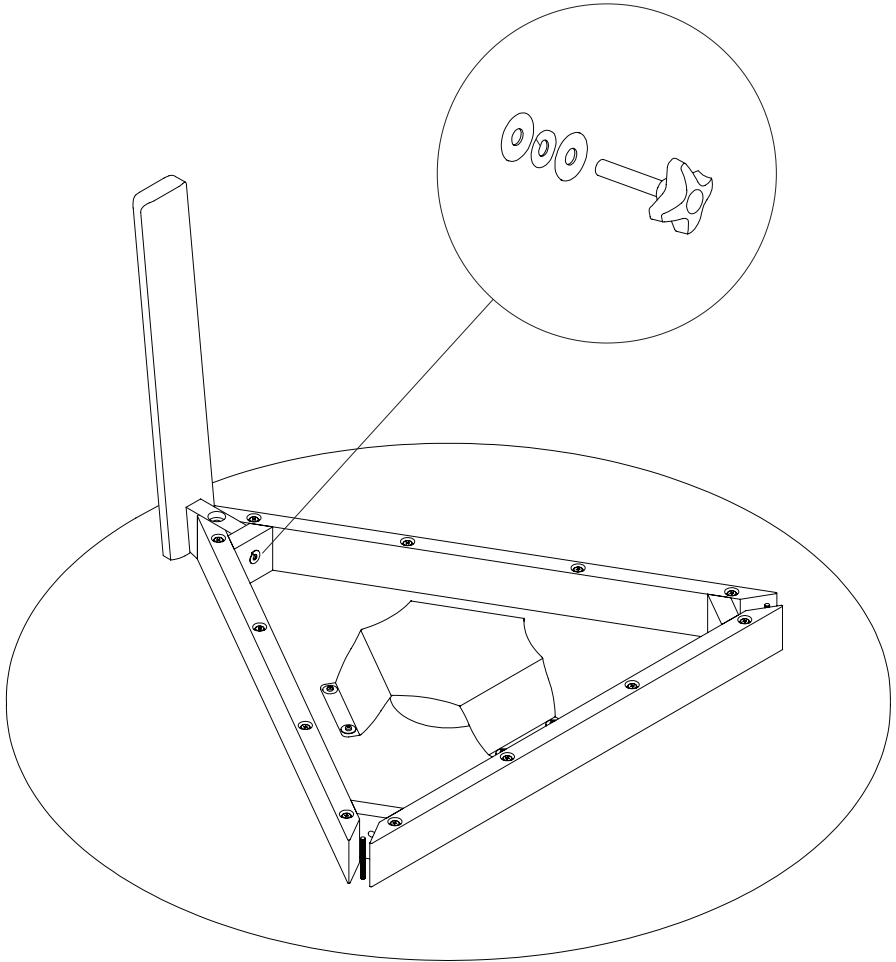
2

Take one of the legs and place it onto the hangerbolt coming out of the table top.



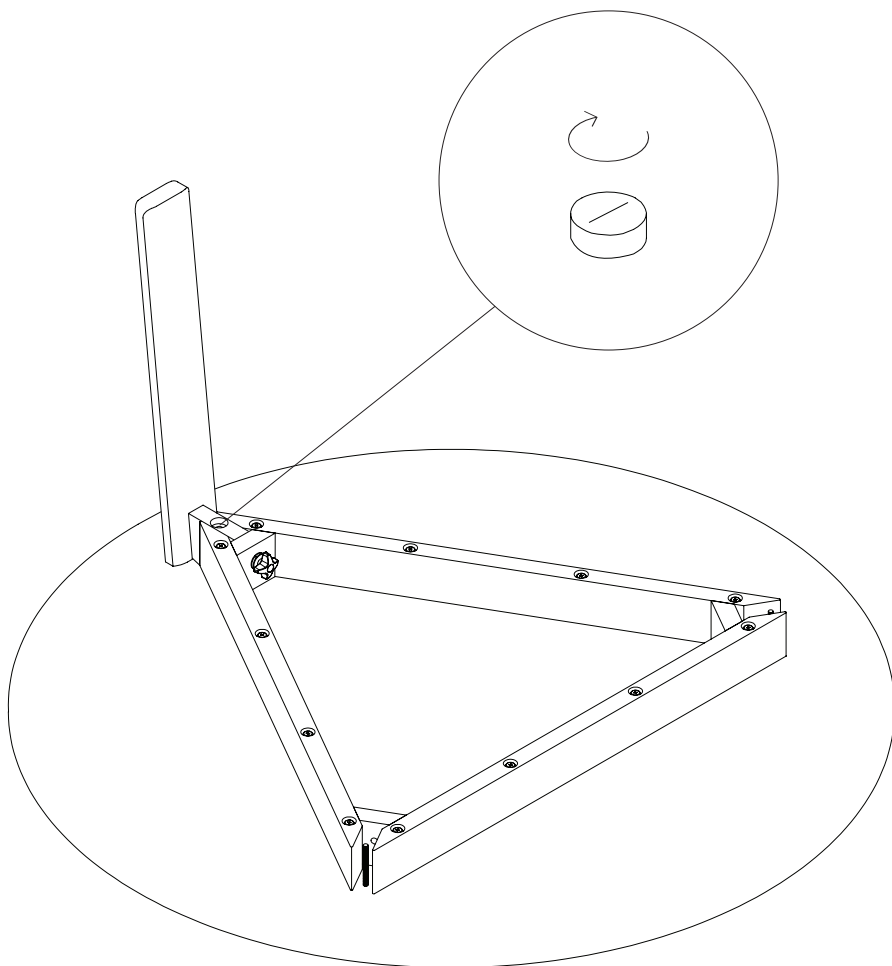
3

Thread a total of three washer onto the knob. First washer, second split washer, third washer. Insert the knob into the circular cutout and into the leg. Tighten firmly.



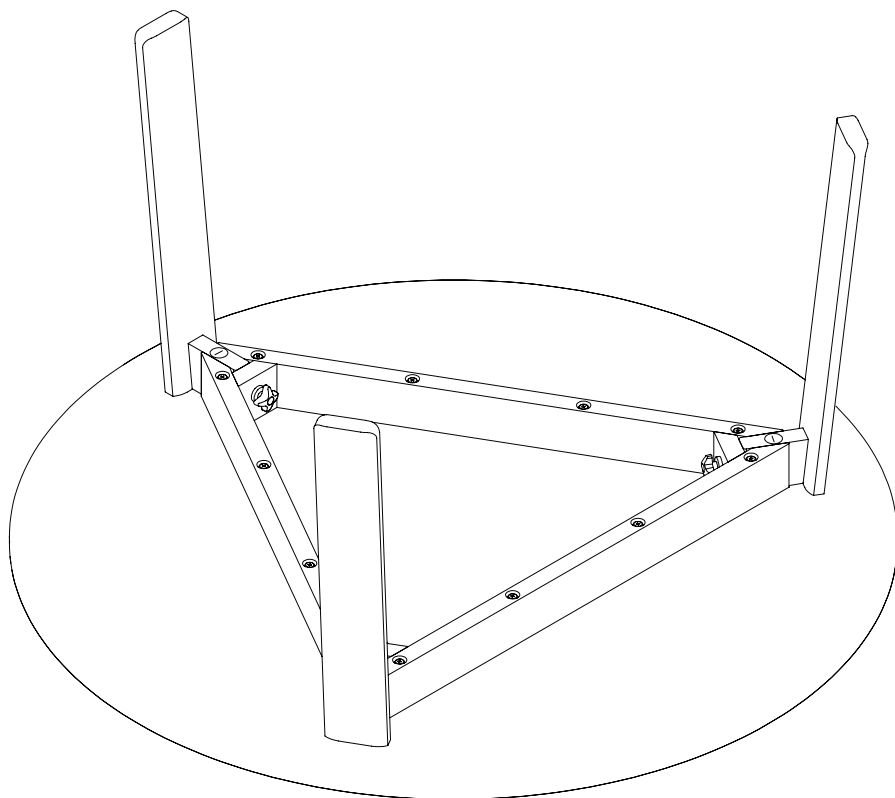
4

Take the Hem Coin Nut and work it into the leg's circular cutout.
Take any fitting coin to tighten the nut firmly.



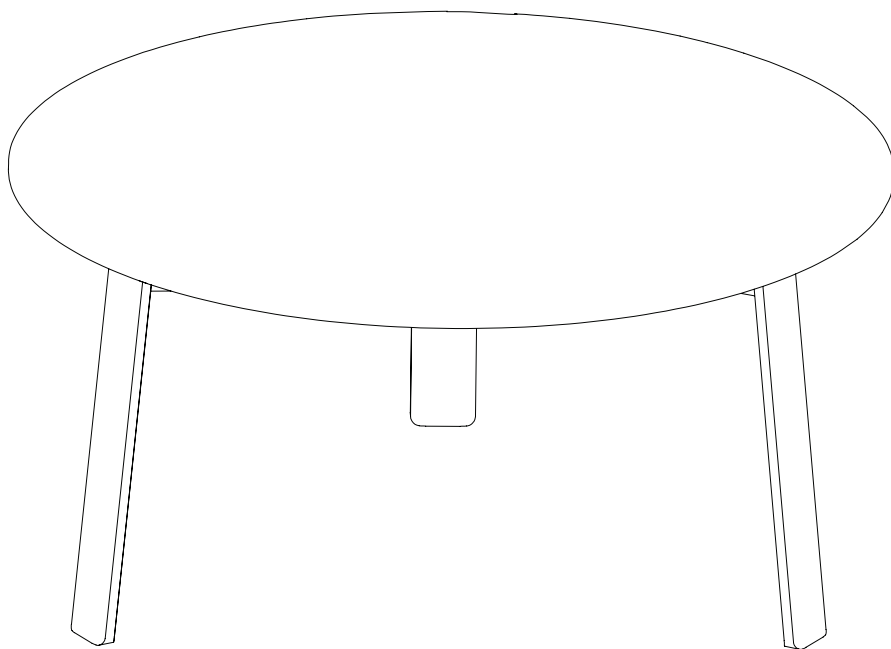
5

Repeat step 2 – 4 for the two other legs.



6

Flip the table and your Alle Round Table is now ready assembled.





Should you have any problems assembling your
product, contact us at info@hem.com.

We're always happy to help!

hem

hem.com