

Arco desk  
Designed by **Chuck Mack** 2013



**DESIGN**  
*Stockholm*  
**HOUSE**

The Publishing House for  
Scandinavian Design.

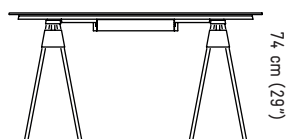
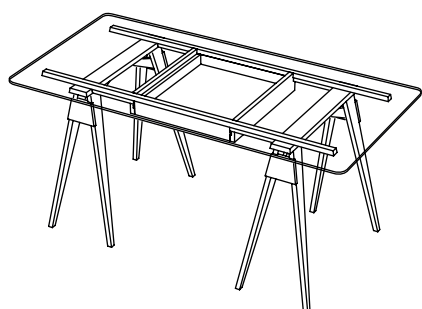
# Working in style.

Designer Chuck Mack has created a desk supported on trestles; a glass worktop which makes the content of your drawer visible to everyone.

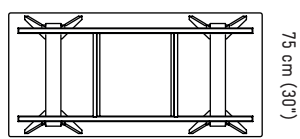
The construction might seem simple, but Arco has several design features; the frame is attached to the trestles by wooden plugs to secure stability.

The drawer is accessible from both sides of the table, and the tempered glass worktop has smooth, rounded edges to avoid accidents, and rests on small plastic distances that makes it stable.

Altogether, it is obvious that Arco has been designed by a skilled carpenter.



150 cm (59")



74 cm (29")

75 cm (30")

## Specifications

Material	Lacquered solid wood. Tempered safety glass, round corners, chamfer edges.
Weight	Trestles: 9.3kg (20.5 lbs) Frame + drawer: 8.6 kg (19 lbs) Worktop: 9.2 kg (20 lbs)
Features	Drawer opens from either side. Frame attaches to trestles with wooden plugs. Plastic distances between worktop and frame.
Other	Trestles, frame and worktop are sold separately.



2179—0100 White trestles  
set of 2



7 340043 307173



2179—8100 Ash trestles  
set of 2



7 340043 311019



2179—8400 Oak trestles  
set of 2



7 340043 307180



2180—0100 White frame



7 340043 307197



2180—8100 Ash frame



7 340043 311026



2180—8100 Oak frame



7 340043 307203



2181—0000 Glass worktop



7 340043 307210